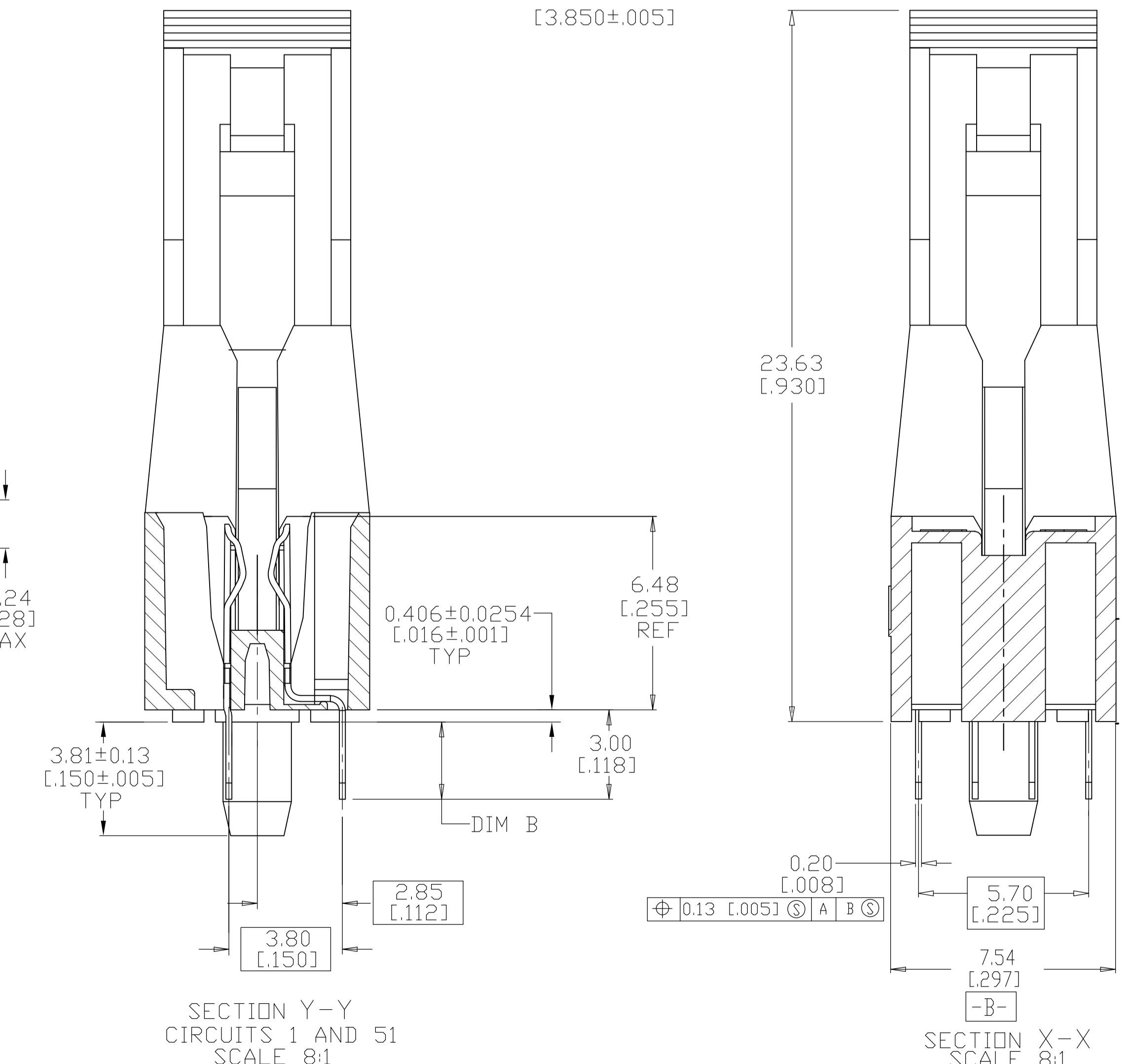
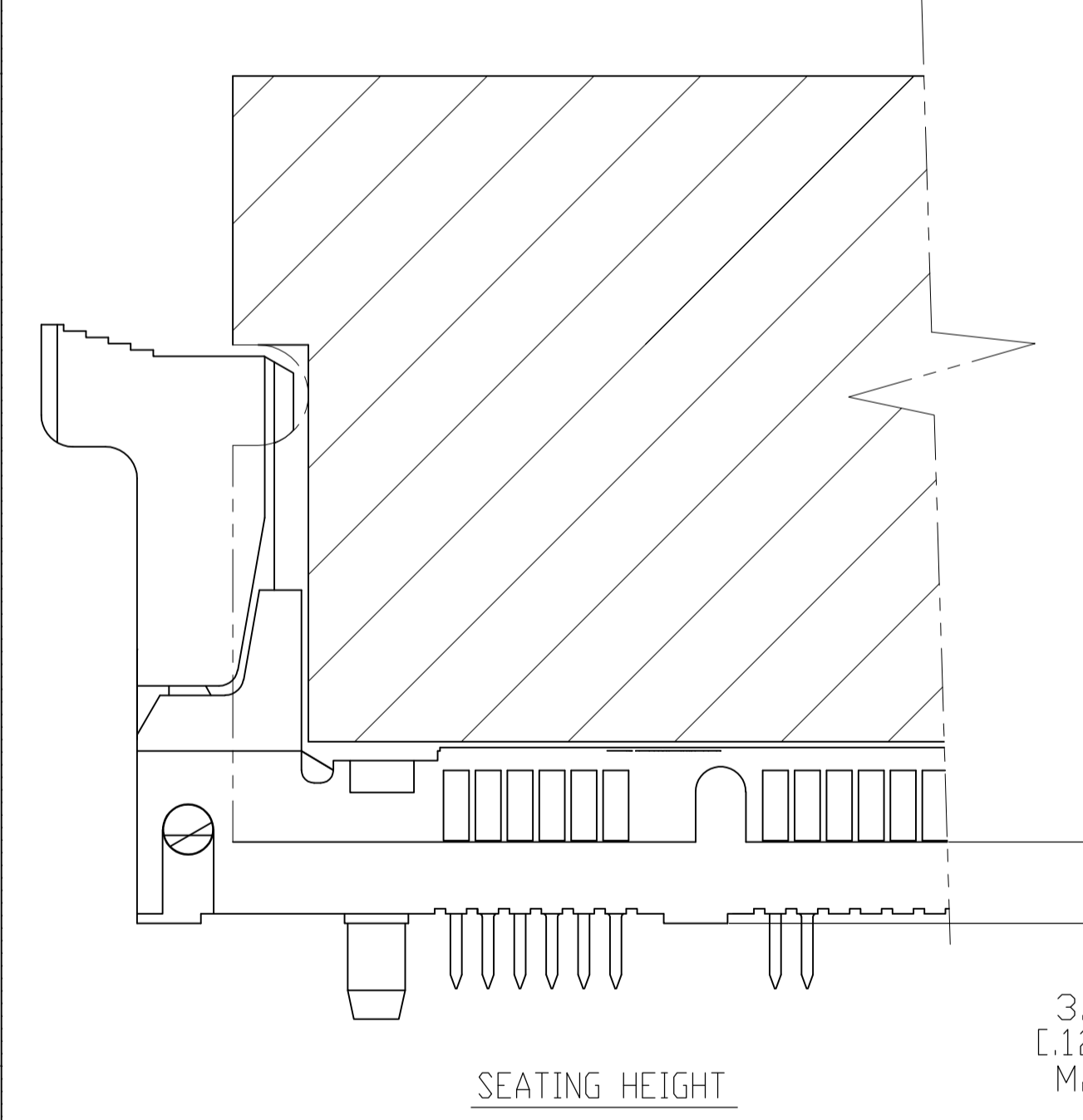
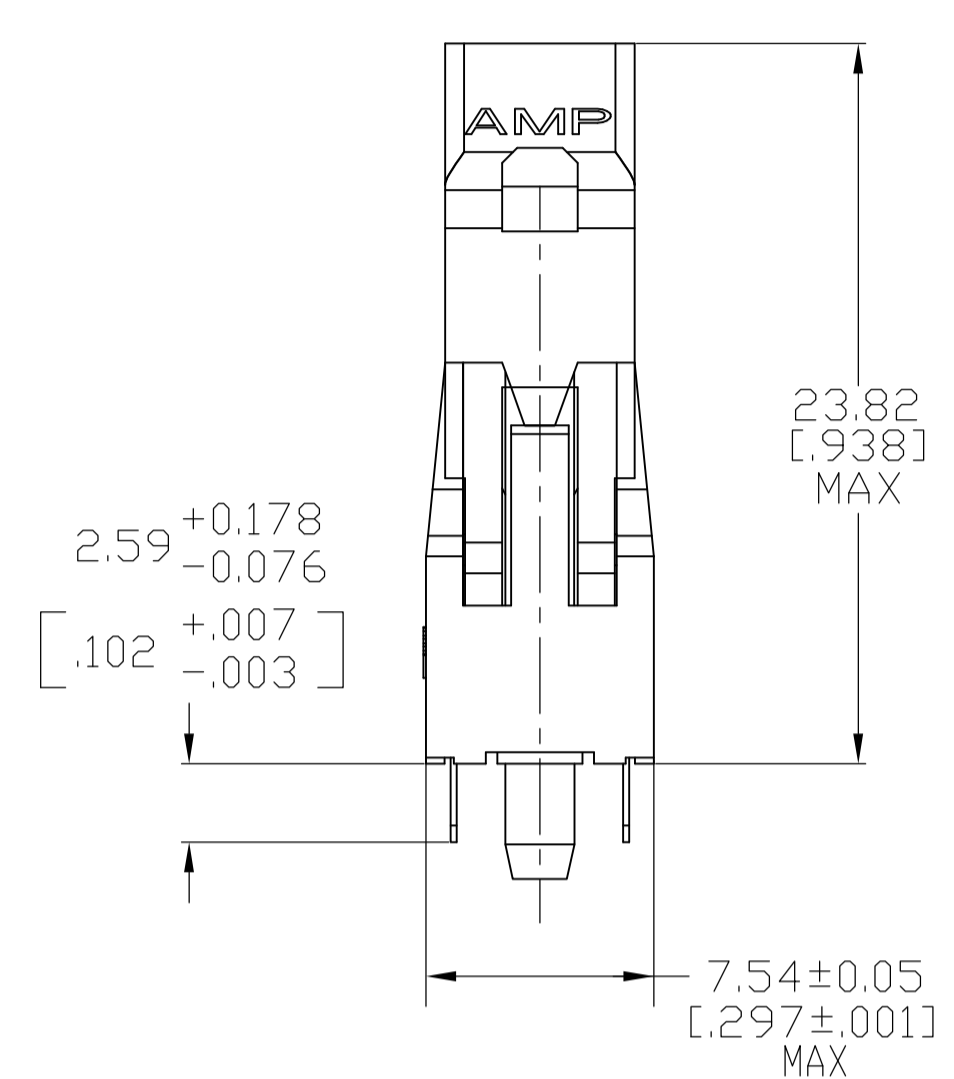
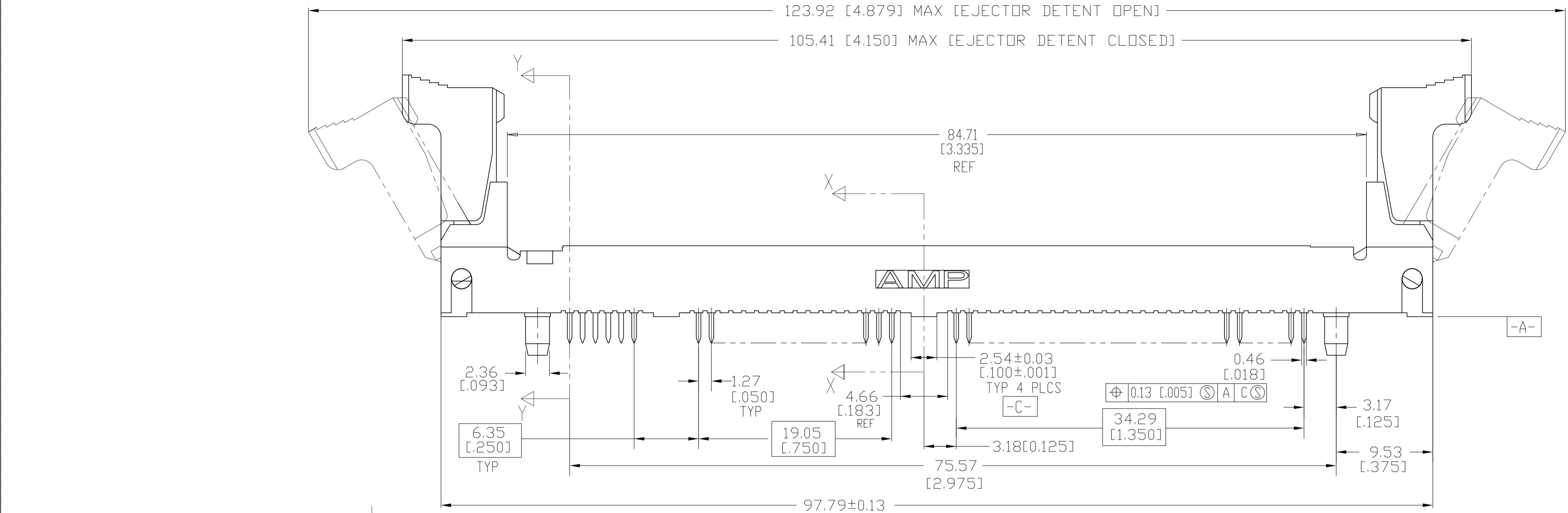
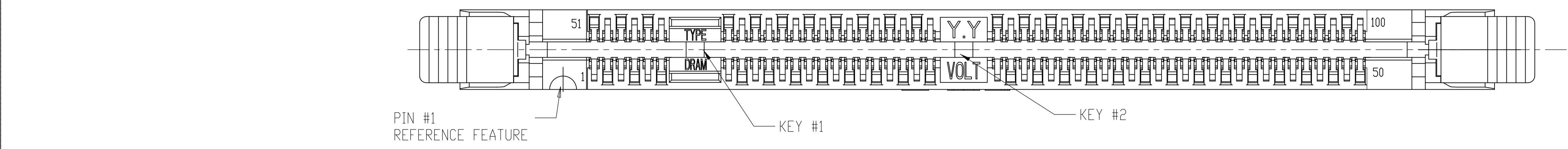


LOC		DIST		REVISIONS			
F	LTR	DESCRIPTION	DATE	DMN	APVD		
B		REVISED PER EC 0511-0085-05	01JUN05	BM	MY		
B1		REVISED PER ECO-09-024927	09NOV09	KK	AEG		
B2		ECR-11-013206	27JUN2011	D.P	C.W		



- 1 MATERIAL  
 HOUSING: GLASS FILLED HIGH TEMPERATURE NYLON.  
 CONTACT: PHOS. BRONZE, C51100, TEMPER H06.
- 2 FINISH  
 CONTACT:  
 NICKEL PLATE ALL OVER .00127mm - .0019mm [0.00050 IN - .00075 IN] THK.  
 PER AMP SPEC 112-25-2.  
 3. GOLD PLATE IN INTERFACE AREA .00038mm [0.00015 IN] THK.  
 PER AMP SPEC 112-162-5.  
 MATTE TIN PLATE IN SOLDER TAIL AREA .00381mm - .00635mm [0.00150 IN - .00250 IN] THK.  
 PER AMP SPEC 112-65-1.
- 4 OBSOLETE PARTS: OBSOLETE CIS STREAMLINING PER D.RENAUD/D.SINISI

OBSOLETE	3.60 [.142]	2.54±0.05 [.100±.002]	DETAIL-C	DETAIL-A	NON-BUFFERED DRAM, 3.3 VOLT, PRE-PLATED CONTACTS	5390213-3
OBSOLETE	2.59 [.102]	2.54±0.05 [.100±.002]	DETAIL-B	DETAIL-A	SYNC DRAM, 3.3 VOLT, PRE-PLATED CONTACTS	5390213-2
	2.59 [.102]	2.54±0.05 [.100±.002]	DETAIL-C	DETAIL-A	NON-BUFFERED DRAM, 3.3 VOLT, PRE-PLATED CONTACTS	5390213-1
	DIM B	DIM A	KEY #1	KEY #2	DESCRIPTION	PART NUMBER

THIS DRAWING IS A CONTROLLED DOCUMENT.

DIMENSIONS: mm [INCHES]

TOLERANCES UNLESS OTHERWISE SPECIFIED:

0 PL	±	-
1 PL	±	-
2 PL	±	-
3 PL	±	0.127 [0.005]
4 PL	±	-
ANGLES	±	-

MATERIAL 1 FINISH 2

THIS DRAWING IS A CONTROLLED DOCUMENT. DIN R. RICHARDSON 88EC04 Tyco Electronics Tyco Electronics Corporation Harrisburg, Pa 17105-3608

CHK M. YEOMANS 88EC04 NAME

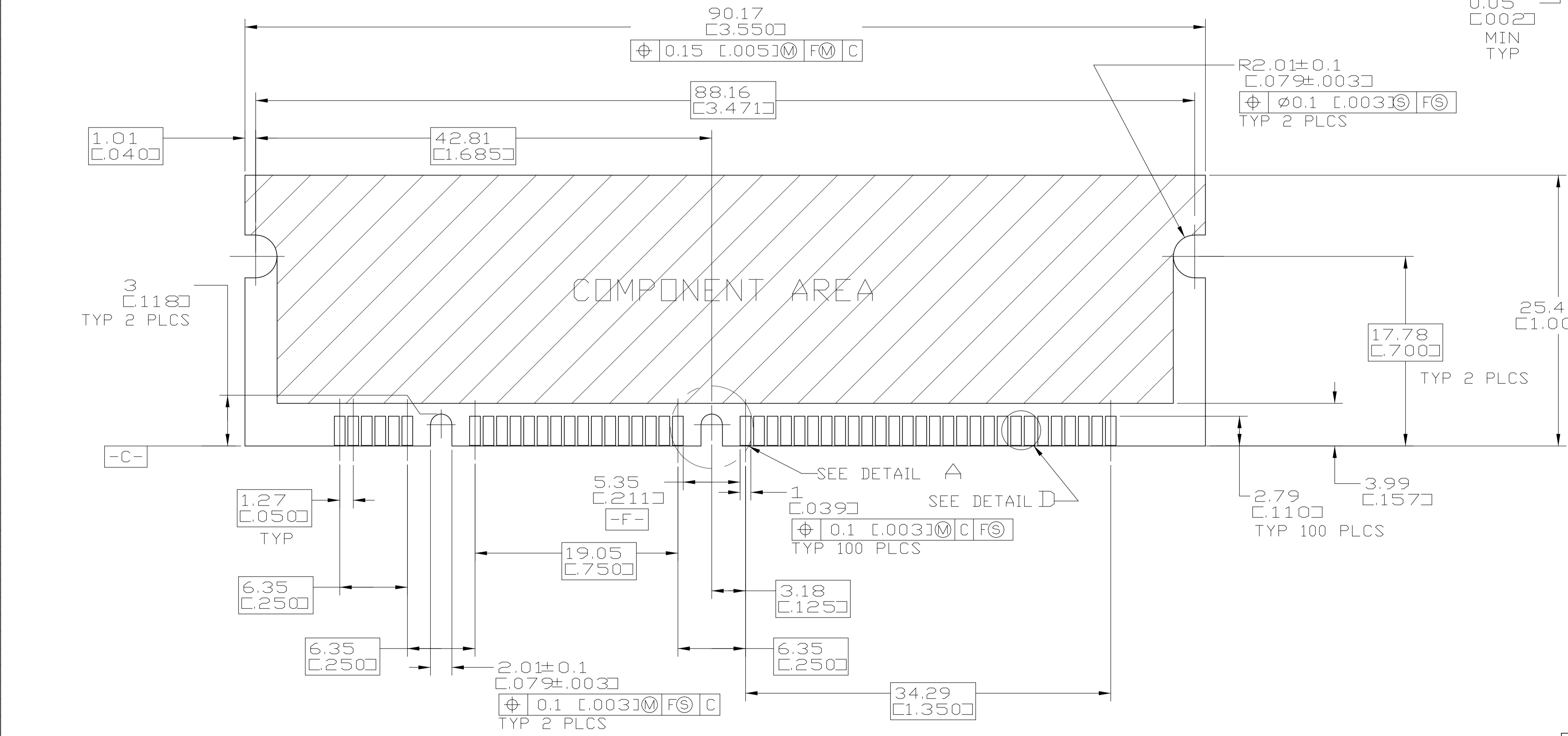
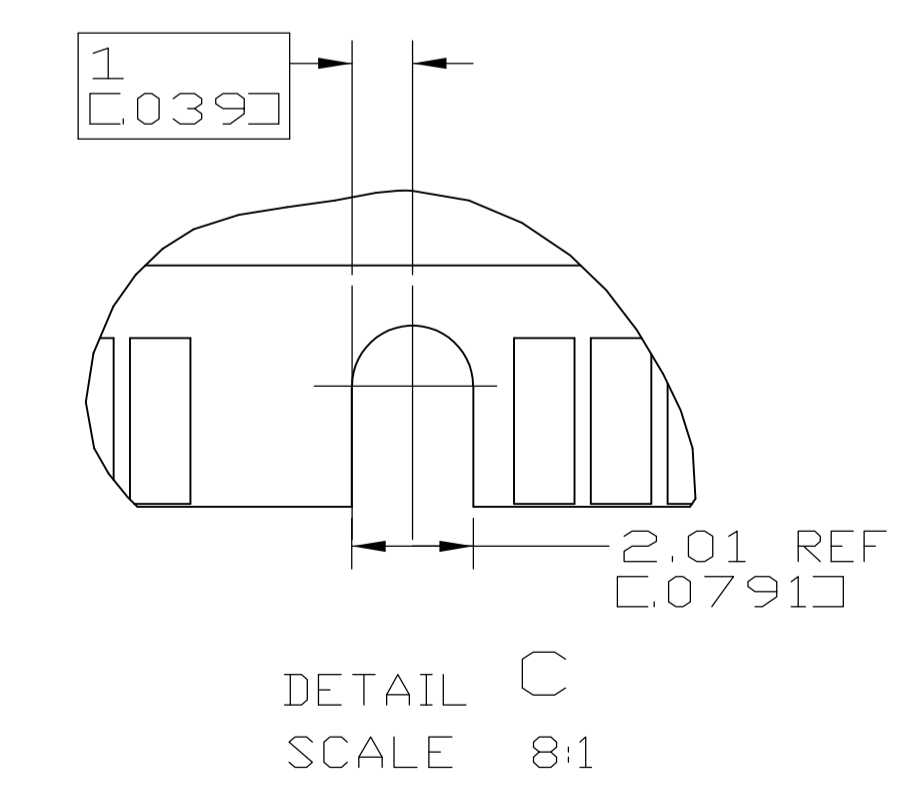
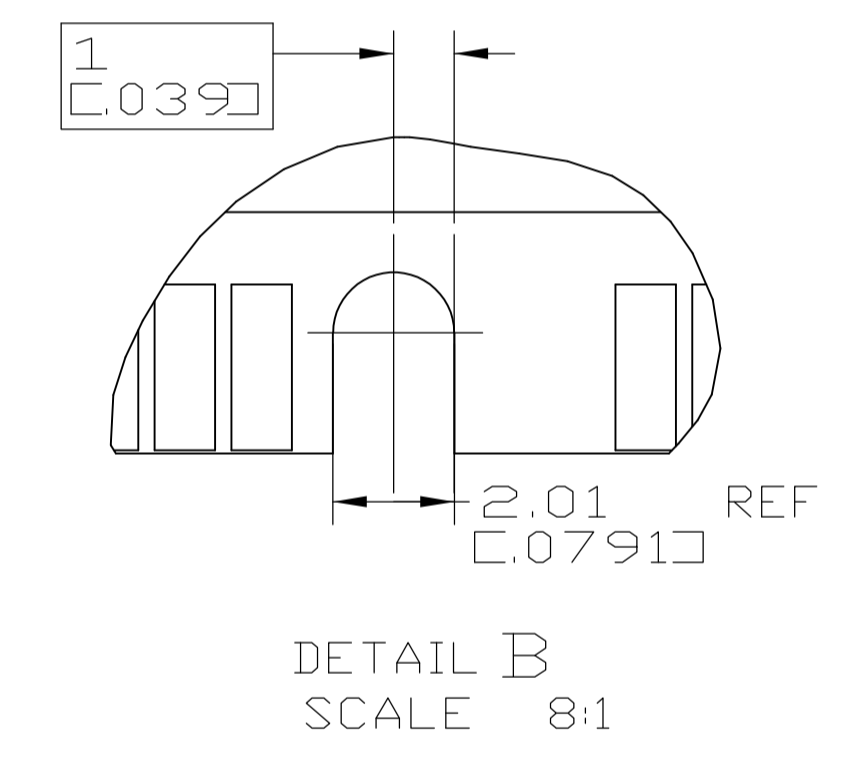
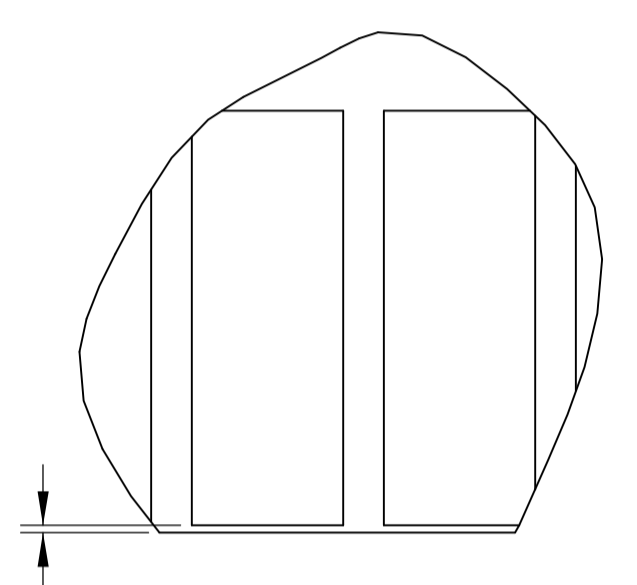
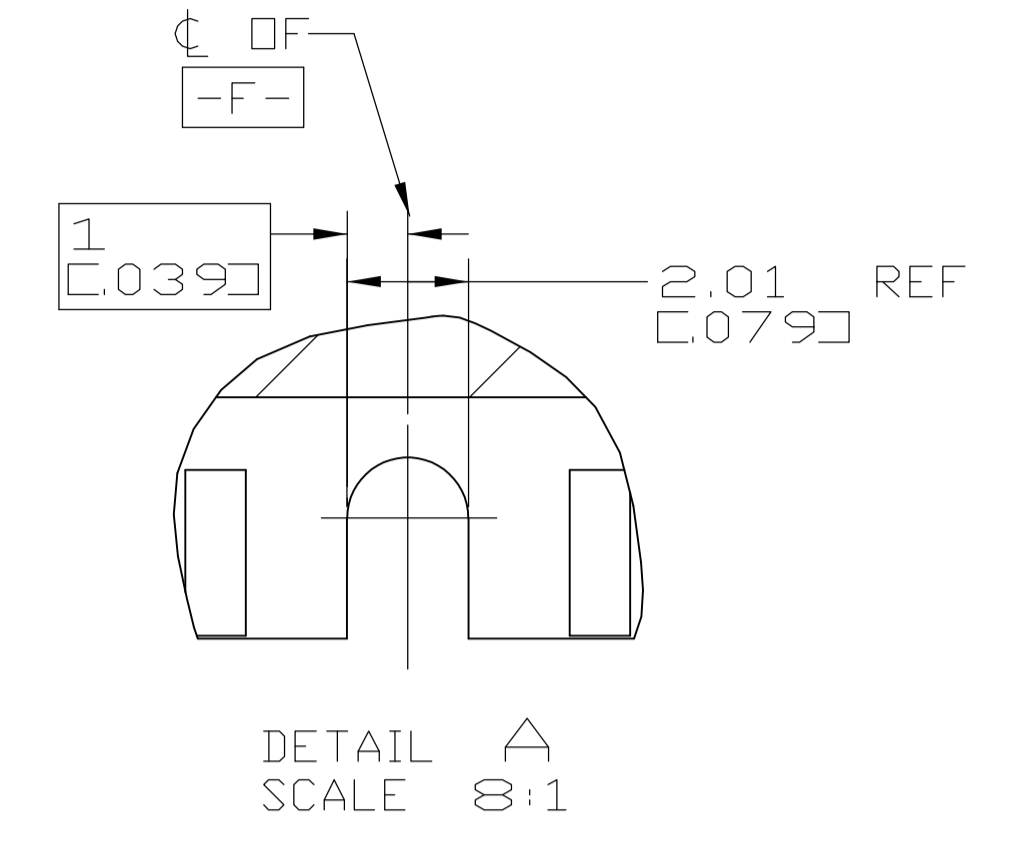
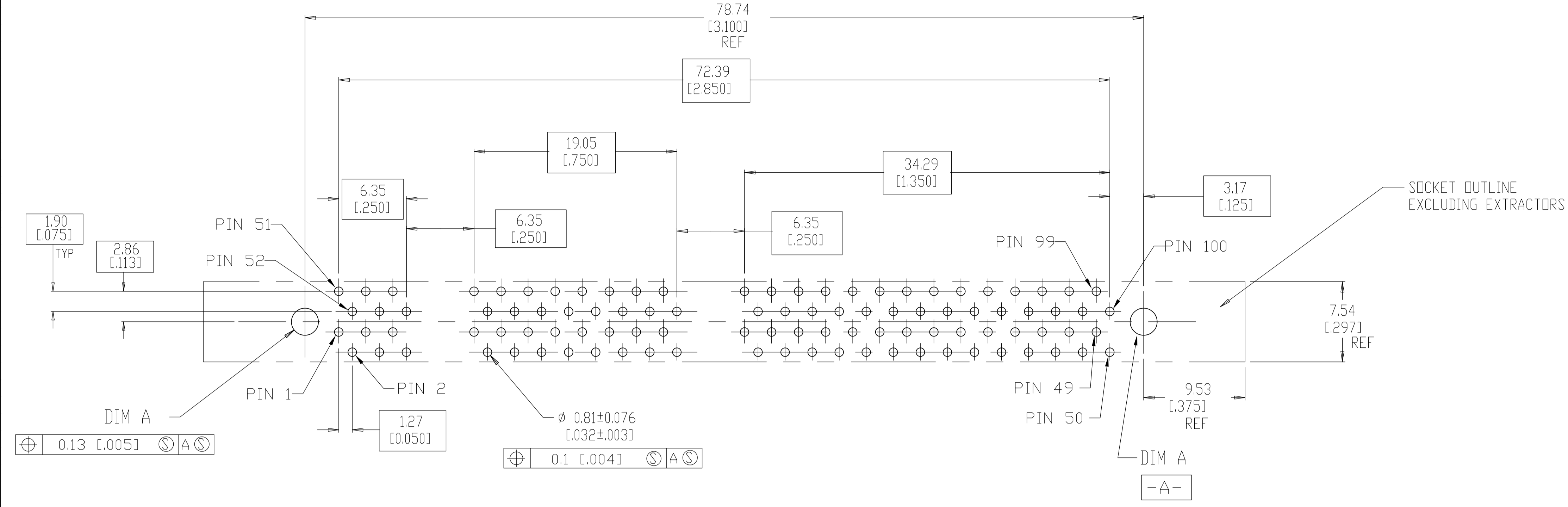
PRODUCT SPEC

APPLICATION SPEC

SIZE CASE CODE DRAWING NO RESTRICTED TO

WEIGHT A1 00779 C=5390213

CUSTOMER DRAWING SCALE 1:1 SHEET 1 OF 2 REV B2



RECOMMENDED MODULE LAYOUT  
 SEE JEDEC SPEC. MO-161 FOR COMPLETE MODULE DETAILS,  
 1.27±0.10[0.050±0.004] THICK ACROSS PADS

THIS DRAWING IS A CONTROLLED DOCUMENT.		DIN R. RICHARDSON 88EC04	Tyco Electronics	Tyco Electronics Corporation Harrisburg, Pa 17105-3608	
DIMENSIONS: mm[INCHES]		CHK M. YEOMANS 88EC04		NAME	
TOLERANCES UNLESS OTHERWISE SPECIFIED:		APVD	PRODUCT SPEC		
0. PLC ± -		APPLICATION SPEC			
1. PLC ± -		SIZE			
2. PLC ± -		CAGE CODE			
3. PLC ± 0.127 [0.005]		DRAWING NO			
4. PLC ± -		RESTRICTED TO			
ANGLES ± -		WEIGHT			
MATERIAL		A1 00779 C=5390213			
FINISH		CUSTOMER DRAWING			
		SCALE 1:1		SHEET 2 OF 2	
				REV B2	